

GA4 Standard Compartment Lock

Features

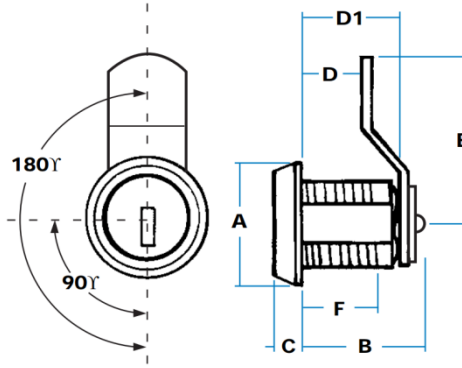
- Identical in most details to the 'deluxe' models, these locks have a simplified specification which enables them to be installed without dismantling cam pawl
- Standard housing length 19 mm
- Available in 90° or 180° rotation models. For 90° models, key does not withdraw in unlocked (9 o'clock) position

Material

- Steel, chromium plated

Notes

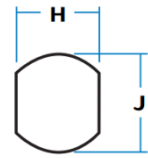
- 'FS' keys as standard with 'shuttered' keyway. Optionally 'FT', '92' or 'DLP' key types also available
- Cam pawl reversible, can be fitted at 45° intervals
- Wide choice of cam pawls, finish options and accessory items available



For clarity, retaining nut is not shown



GA4-G00103



Part No.	Rotation	Key Type	A	B	C	D	D1	E	F	H	J
GA4-G00107	90°	Mixed	26	27	6	11	19	37	15	17.5	20
GA4-G00103		FS880									
GA4-G00108	180°	Mixed	26	27	6	11	19	37	15	17.5	20
GA4-G00105		FS880									

GA4 Short Body Compartment Lock

Features

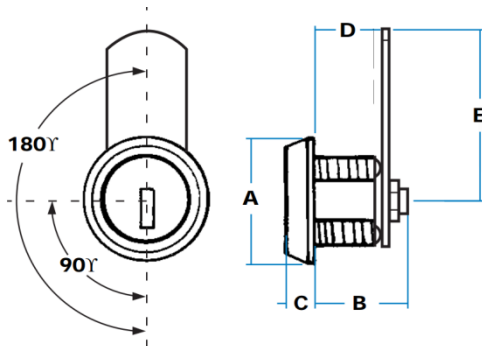
- Use these locks where depth is restricted, since body length is 7 mm less than standard. It can be further reduced with optional moulded spacer under head.
- Available in 90° or 180° rotation models. For 90° models, key does not withdraw in unlocked (9 o'clock) position

Material

- Steel, chromium plated

Notes

- 'FS' key only, with 'shuttered' keyway
- Cam pawl reversible, can be fitted at 45° intervals



GA4-G22931

Part No.	Rotation	Key Type	A	B	C	D	E
GA4-G22932	90°	Mixed	26	20	6	13	35
GA4-G22932-01		FS880					
GA4-G22931	180°	Mixed	26	20	6	13	35
GA4-G22931-01		FS880					